

19

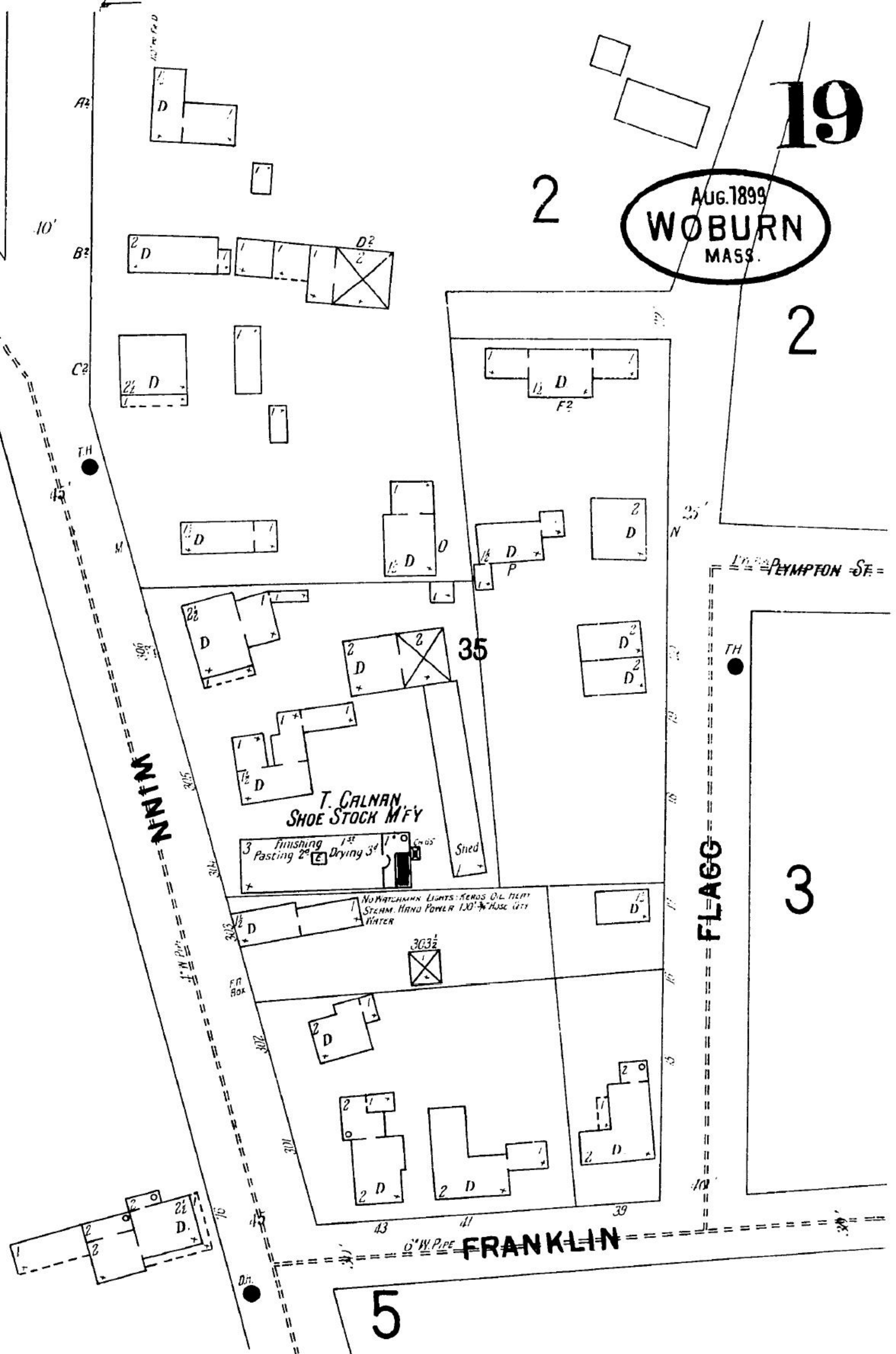
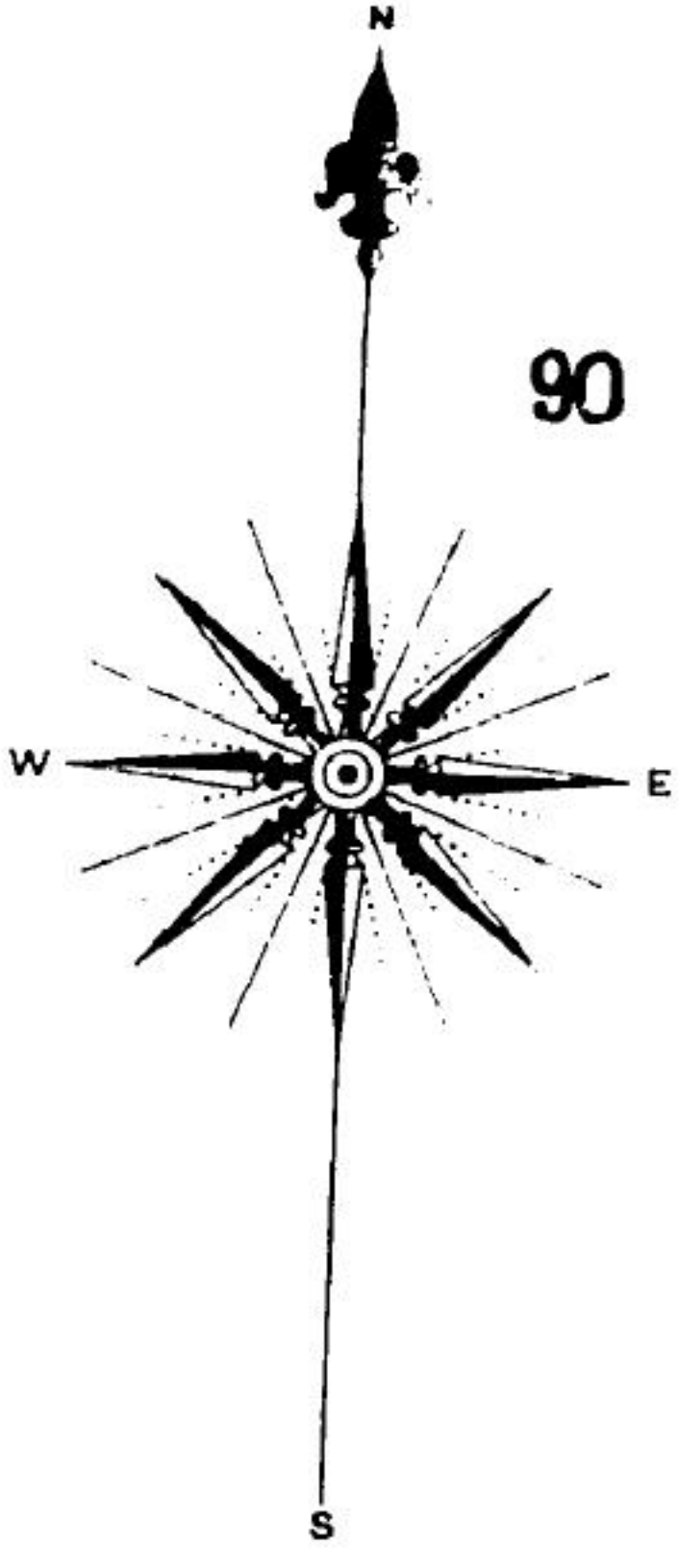
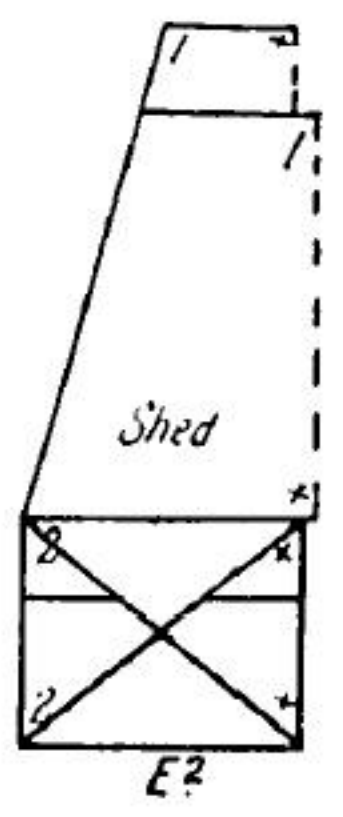
AUG. 1899  
WOBURN  
MASS.

2

2

3

5



MAIN

FLAGG

FRANKLIN

T. CALNAN  
SHOE STOCK M'Y

3 finishing 1<sup>st</sup> Drying 3<sup>d</sup>  
Pasting 2<sup>d</sup> E

NO MATCHES LIGHTS: KEROSENE OIL FLINT  
STEAM. HAND POWER 120' HOSE CITY  
WATER

303 1/2

FR BOX

PLYMPTON SE

10'

A?

B?

C?

TH

M

306

305

304

303

302

301

300

299

298

297

296

295

294

293

35'

30'

25'

20'

15'

10'

5'

0'

10'

15'

20'

25'

30'

35'

40'

45'

TH

TH

TH

0" W. PIPE